



## SLAB FORMWORK

### RINGER SLAB FORMWORK AND ACCESSORIES

#### Flexible and quick

A modern timber beam system that enables you to pour any kind of slab - any length, any width or thickness with ease. Only few system components are required: quality RINGER props, heads, H20 beams with protection caps and RINGER formwork panels.

Cost effective solution, easy calculation of required materials.



TECHNOLOGY FOR YOUR SITE

#### AUSTRALIAN PARTNER

Safeguard Formwork  
19-21 Cairns St  
Loganholme Qld 4129  
Ph: 1300 971 603  
Email:  
info@safeguardformwork.com.au

[www.ringer.at](http://www.ringer.at)

## PROPS

Industrial Class B

### INFORMATION According to EN 1065

Special heavy-duty head plate (120 x 120 x 6 mm) with hole Ø 41 mm  
Galvanized sliding ring for easy handling  
Welded bearing ring (8 mm)  
Captive socket pin (Ø 13 mm), galvanized ST52, 3  
Greased, smooth running thread

- Head plate suits all standard prop heads
- Made of tubes Ø 57/2,5 mm and Ø 48,3/3,2 mm
- Longer life time due to dip coating of the tubes and galvanization of screw socket and socket pin
- **Fast and safe handling due to anti - handtrap and anti - dropout safeguard.**

**Bearing load 20 kN for each height from 1,55 - 2,80 m**



### DETAILS

EN-Class	Weight	Adjustment range	Breaking load at max. height	Bearing load at max. height	Art.Nr.
B25	13,0kg	1,55 - 2,60 m	84,00 - 66,00kN	16,5kN	200 11
B30	14,0kg	1,75 - 3,00 m	84,00 - 60,00kN	13,7kN	200 12
B35	16,0kg	2,05 - 3,50 m	74,00 - 53,00kN	11,8kN	200 13
B40	19,0kg	2,35 - 4,00 m	60,00 - 45,00kN	10,3kN	200 14

## PROPS

"Wohnbau" and Class A

### INFORMATION Props type A according to EN 1065

- Made of tubes Ø 57 mm and Ø 48 mm
- Longer life time due to dip coating of the tubes
- Head plate 120 x 120 x 6 mm
- Captive socket pin (Ø 13 mm)
- Hidden thread with bearing ring
- **Fast and safe handling due to anti - handtrap and anti - dropout safeguard.**



### DETAILS

Size	Weight	Adjustment range	Breaking load at max. height	Bearing load at max. height	Art.Nr.
1i	9,5kg	1,75 - 3,00 m	42,00 - 17,50kN	6,0kN	200 0007
A30	12,0kg	1,75 - 3,00 m	42,00 - 25,00kN	10,0kN	200 01
A35	13,5kg	2,10 - 3,50 m	42,00 - 18,00kN	8,3kN	200 02

## EU PROPS

hot - dip galvanized

### INFORMATION According to EN 1065

- Special heavy-duty head plate (120 x 120 x 8 mm) with hole Ø 41 mm
- Head plate suits all standard prop heads
  - Longer life time due to hot - dip galvanization
  - Captive socket pin (Ø 14 mm)
  - Better visual control due to smooth running open thread
  - **Fast and safe handling due to anti - handtrap and anti - dropout safeguard.**

**20 KN**

**Bearing load 20 kN - 41 kN depending on extension height**



### DETAILS

EN-Class	Weight	Adjustment range	Breaking load at max. height	Bearing load at max. height	Art.Nr.
BD25	14,5kg	1,50 - 2,50 m	84,00 - 73,30kN	20kN	200V260
BD30	15,5kg	1,70 - 3,00 m	84,00 - 73,30kN	20kN	200V300
CD35	19,0kg	1,95 - 3,50 m	74,00 - 72,00kN	20kN	200V35D
CD40	21,9kg	2,25 - 4,00 m	74,00 - 63,50kN	20kN	200V40D
CD55	34,0kg	3,10 - 5,50 m	74,00 - 50,00kN	20kN	200V55D

## EU HEAVY DUTY PROPS

hot - dip galvanized

### INFORMATION According to EN 1065

- When bearing load of standard props is not enough, then heavy duty props are to be used.
- Head plate suits all standard prop heads
  - Longer life time due to hot - dip galvanization
  - Captive socket pin (Ø 16 mm)
  - Better visual control due to smooth running open thread
  - **Fast and safe handling due to anti - handtrap and anti - dropout safeguard.**

**30 KN**

**Bearing load 30 kN - 41 kN depending on extension height**



### DETAILS

EN-Class	Weight	Adjustment range	Bearing load at max. height	Art.Nr.
E25	14,9kg	1,50 - 2,60 m	30 kN	200V25E
CE30	18,5kg	1,70 - 3,00 m	30 kN	200V30E
E35	22,4kg	1,95 - 3,50 m	30 kN	200V35E
E40	26,1kg	2,25 - 4,00 m	30 kN	200V40E

## ACCESSORIES

### LOWERING HEAD WITH QUICK RELEASE

Lowering head H20, hot - dip galvanized  
Weight: 5,40kg Art.Nr. 290V22



### CROSS HEAD H20

Cross head H20, hot - dip galvanized  
Weight: 3,60kg Art.Nr. 290V60



### FORK HEAD H20

Fork head H20, hot - dip galvanized  
Weight: 1,00kg Art.Nr. 290V62



### DISMANTLING HEAD H20

Dismantling head H20, hot - dip galvanized  
Weight: 9,50kg Art.Nr. 290V25



### SPRING BOLT

For all types of heads, galvanized  
Weight: 0,20kg Art.Nr. 290V23



### TRIPOD FOLDABLE

for props, hot - dip galvanized  
Weight: 11,00kg Art.Nr. 290V59



## **H20 TIMBER BEAM**

with protection cap, according to EN 13377 and EN 13353



### **Sizes:**

180, 245, 265, 290, 330, 360, 390, 490 cm  
Other sizes are available on request.

**Packing unit:** 50 pieces

- solid wood web
- shock resistant protection cap

## **TIMBER FORMWORK PANEL**

consists of 3 layers in mm: 8 - 11 - 8



**Thickness:** 27 mm

**Width:** 50 cm

**Length:** 150, 200, 250, 300 cm

## BEAM FORMING SUPPORT

The Beam Forming Support is the professional way of forming drop beams and slab stop - ends. In conjunction with the Extension for Beam Forming Support 60cm, exact height adjustment is possible. This product avoids time consuming jobsite timber constructions and therefore increases your efficiency accordingly. The Beam Forming Support automatically clamps the formwork tight, resulting in clean concrete surfaces and grout - tight edges.

Beam Forming Support



length : 30 cm  
height : 35 cm  
weight: 6,90 kg



Extension for Beam Forming Support 60 cm



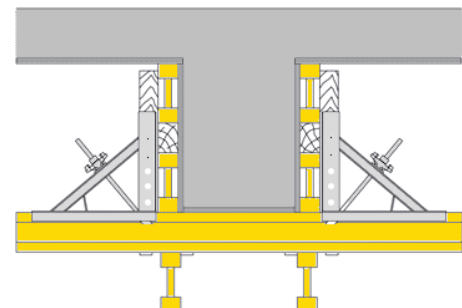
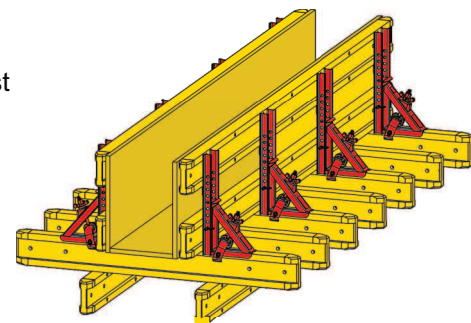
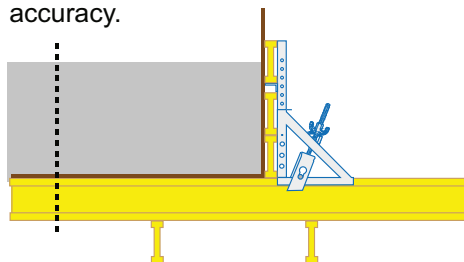
## BEAM FORMING SUPPORT - EXTENSION

### How to use

Place the Beam Forming Support onto the H20 secondary beam and push it up against the sidewall formwork.  
(up to a height of 60 cm)

galvanized  
weight : 4,40 kg

The large bearing surface of the Beam-Forming Support gives the sidewall formwork a high degree of 90° angle accuracy.

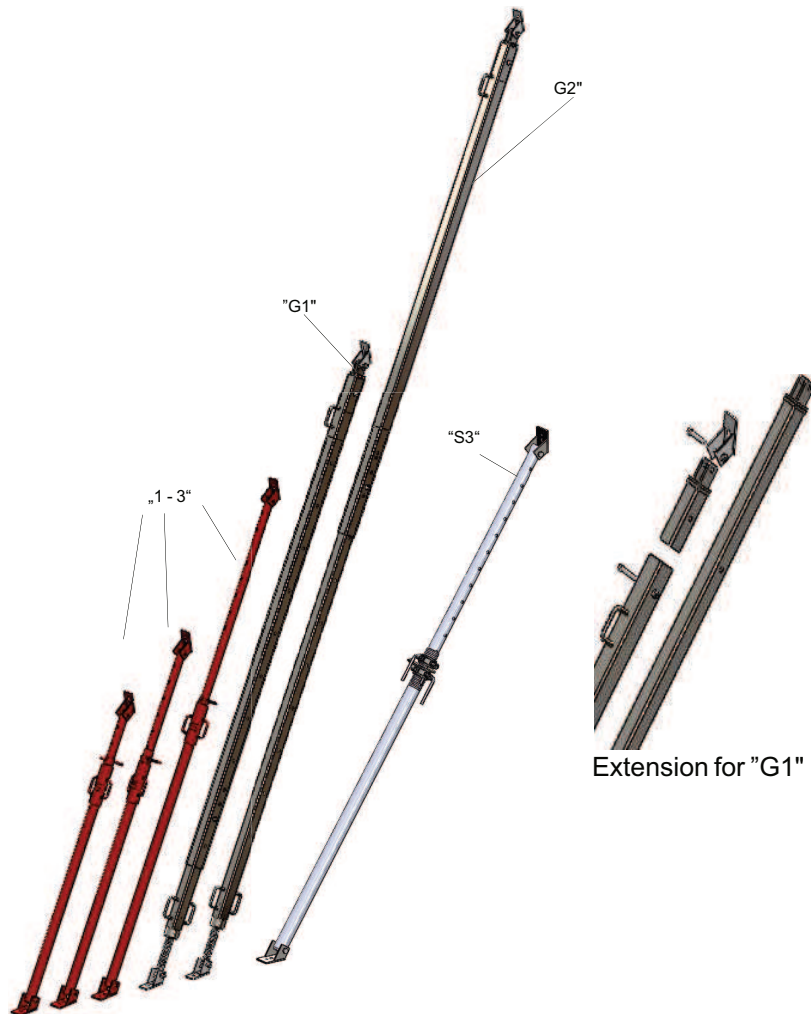


Item	Weight	Art.Nr.
Beam Forming Support 20 cm galvanized	6,90 kg	290V64
Extension 60 cm for Beam Forming Support galv.	4,40 kg	290V65

## PUSH AND PULL PROP

### Support in mounting

Suitable for supporting and aligning prefabricated walls and wall formwork.  
 Hidden thread, captive socket pins, quick adjustment due to easy going thread.  
 Fixing with heavy duty dowel or similiar.  
 Fixing holes have diameter of 14 and 20 mm in foot and head plate.  
 Should be fixed in even and strong ground.  
 Please observe wind load according to your regional standard.



Size	Adjustment Range	Weight/Surface	Compression Strength	Tensile Strength	Art.Nr.
1	2,15 - 3,60 m	17,50 kg dip coated	9,0kN	18,0kN	290 0064
2	2,35 - 4,10 m	19,50 kg dip coated	6,5kN	18,0kN	290 0065
3	3,15 - 5,70 m	25,00 kg dip coated	4,0kN	18,0kN	290 0066
S3	3,00 - 5,50 m	32,00 kg galvanized	20,0kN	35,0kN	290V70
G1	3,55 - 5,90 m	55,00 kg galvanized	30,0kN	40,0kN	290V0067
G2	6,50 - 10,00 m	80,00 kg galvanized	30,0kN	40,0kN	290V00671
Extension for push and pull prop G1 (6,20 - 8,40m), galvanized, L 3 m , 24 kg					708V34

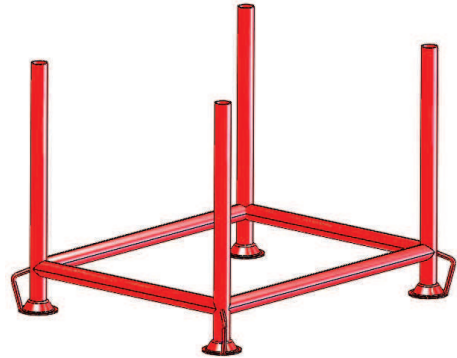
Other sizes available on request

## TRANSPORTATION BOXES AND PALLETS

Suitable for transportation by crane and fork lift  
Reduce transport and storage costs

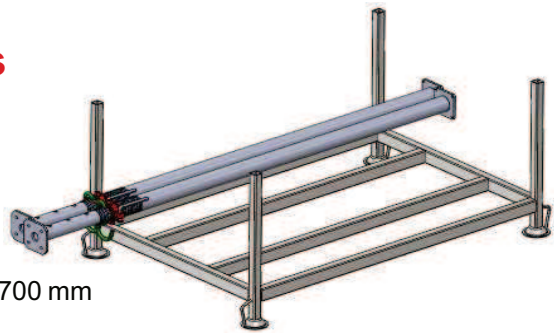
### Pallet for props

- dip coated or hot - dip galvanized
- for 50 props
- Outside dimensions: length = 1,00 m  
width = 0,80 m  
height = 0,70 m
- Allowed loading capacity: 1.300 kg



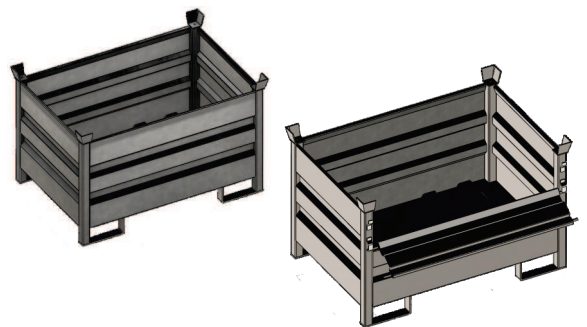
### Pallet for EU - props

- Hot-dip galvanized for long durability
- 60 pcs EU - props up to 3,0 m or
- 50 pcs. EU - props from 3,5 m
- Allowed load capacity: 1.300 kg
- Outside dimensions: 1.650 x 1.150 x 700 mm  
(L x W x H)



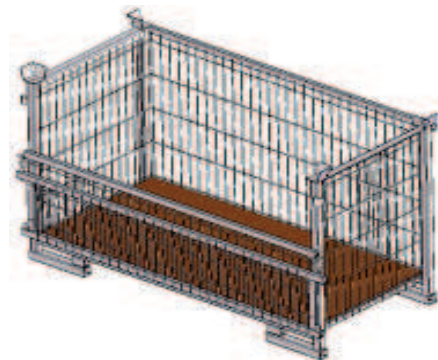
### UNI - Container

- Outer dimensions: 1.200 x 800 x 710mm  
(L x W x H)
- Filling height: 600mm
- Bearing capacity: 1.500 kg
- Load: max. 10.000 kg
- Models: with or without flap
- Hot - dip galvanized



### Ringer Pallet Cage

- Outer dimensions: 1.700 x 800 x 1.100mm  
(L x W x H)
- Filling height: 880 mm
- Bearing capacity: 700 kg
- Load: max. 3.500 kg
- Base: hard and strong plywood
- Hot - dip galvanized with flap



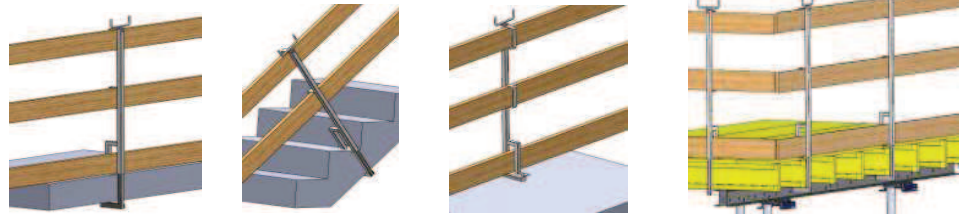
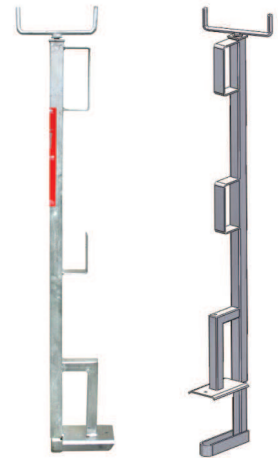


## GUARDRAILS

Best possible protection for safety solutions  
complies with EN 13374 Class A

### Guardrail Clamp

- Stepless adjustment range till 60 cm
- Simple, fast and time saving mounting
- No loose parts
- Easy and fast screwing due to Dywidag-spindle
- Hot - dip galvanized
- Light, quick and easy to install



ceiling

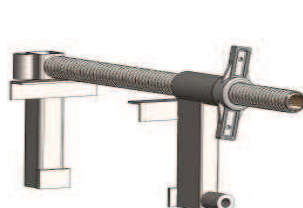
stairs

fixing with screw and dowel

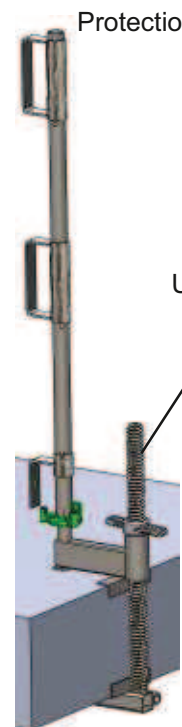
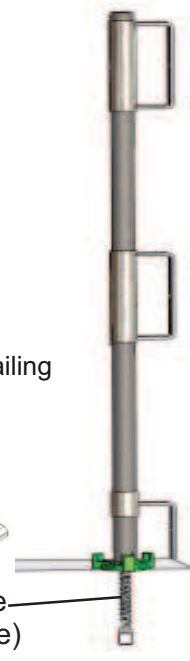
slab formwork

## Protection Railing with Uni - Clamp

- Quick and easy protection
- Post is 360° turnable
- Toe board holder can be adjusted in height
- Suitable for any protection railing
- Durable due to galvanization
- Firm connection due to triple wingnut
- Slab thickness max. 45 cm (for Uni-clamp)
- Anchor sleeve for mounting of protection railing



Anchor Sleeve  
(set in concrete)



Protection Railing

UNI - Clamp

## H20, FORMWORK PANELS, PROPS AND ACCESSORIES



Adjustable slab end post with slap-on guardrail

**RINGER** slab formwork  
- easy in planning and assembly

The most flexible solution  
for your site!



## RINGER CONCRETING TABLE



Sizes:  
200 x 400cm & 200 x 500cm  
250 x 400cm & 250 x 500cm



**RINGER** concreting table  
can be moved by crane fork  
or by shifting trolley.

- minimal moving time
- flexible to install
- retractable props
- cost effective
- hot - dip galvanized steel beam





## RINGER ALL YOU NEED AT YOUR SITE



AN 02/2016

**AUSTRALIAN PARTNER**  
Safeguard Formwork  
19-21 Cairns St  
Loganholme Qld 4129  
Ph: 1300 971 603  
Email:  
info@safeguardformwork.com.au

